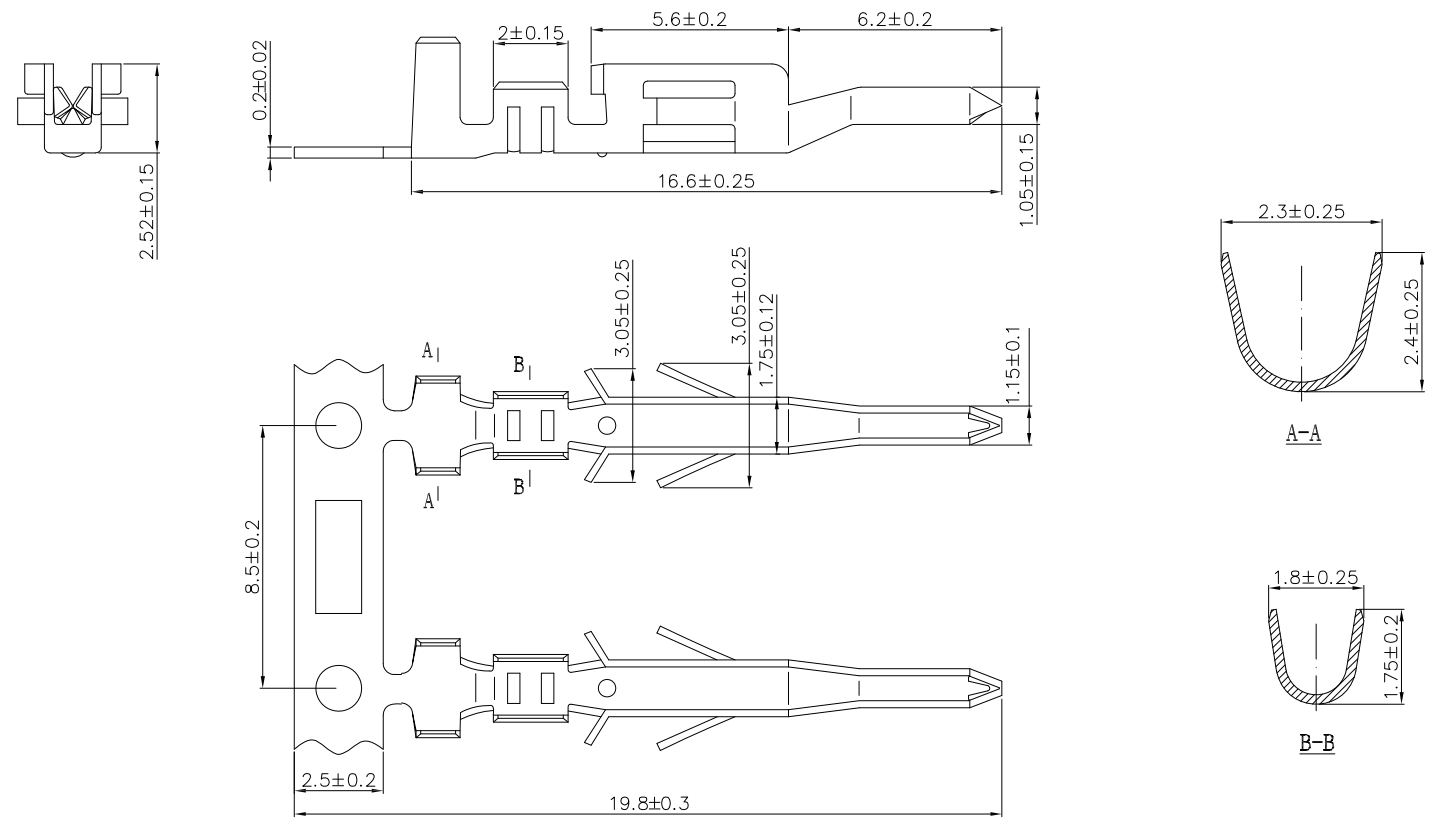


REV	ECN No.	DESCRIPTION	DESIGN	DATE
A0		Release	吴丹平	2017.04.27



**主要技术参数 Main Specifications**

线数 (Poles): 02 to 24  
 接触电阻 (Contact resistance):  $\leq 20\text{m}\Omega$   
 绝缘电阻 (Insulation resistance):  $\geq 1000\text{M}\Omega$   
 额定电压 (Rated voltage): 300 V AC DC  
 额定电流 (Rated current): 9.0A AC DC  
 耐电压 (Withstand Voltage): 1500V AC/minute  
 温度范围 (Temperature Range):  $-25^{\circ}\text{C} \sim +85^{\circ}\text{C}$   
 适用线规 (Applicable wire): AWG #24 to #20

C					
B	CONTACT				
A	HOUSING		1 PCS	PhosphorBronze	Sn-plated
ITEM	COMPONENT		Q'TY	MATERIAL	FINISH
<b>JKUN 温州健坤接插件有限公司</b> <b>WENZHOU JKUN CONNECTOR CO., LTD.</b>					TITLE: C4201R 端子
X.±0.5	X.±5'	USE:	CUSTOMER		PART NO.:
.X±0.3	.X±2'	APPD:	邵敬和		C4201RT-03端子
.XX±0.25	.XX±1'	CHKD:	田峰		DWG NO.:
--	--	DR:	吴丹平		JKUN/GCDZ-0039
		UNITS:	mm		SCALE
					1 : 1
					SHEET
					1 / 1