

A

B

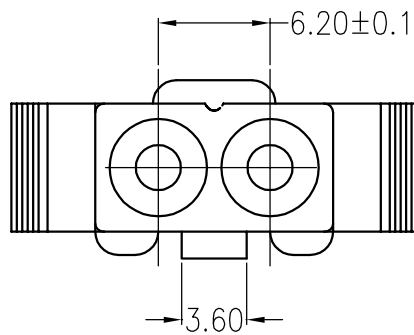
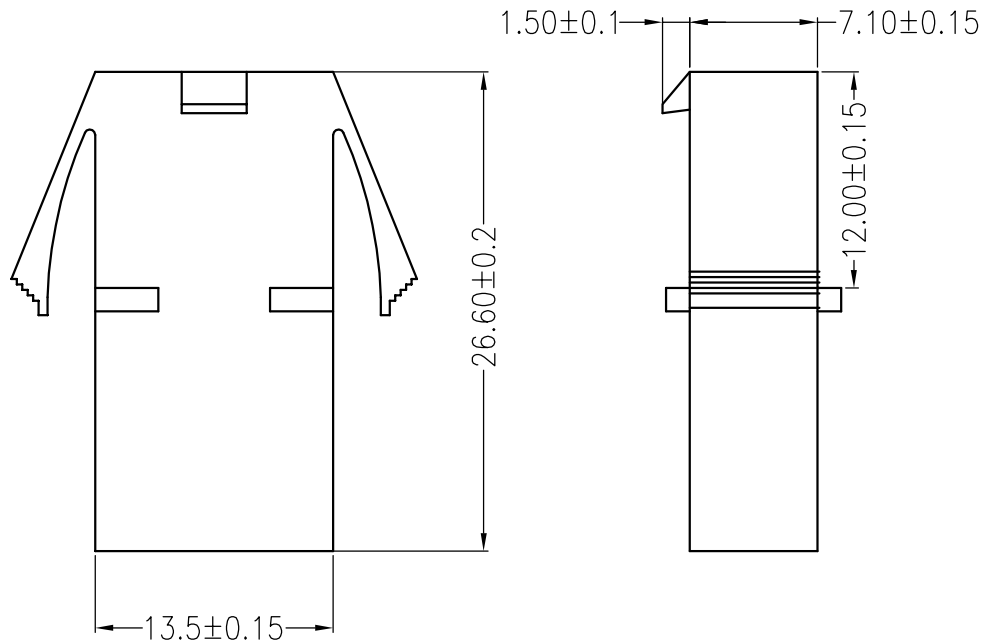
C

D

E

F

REV	ECN No.	DESCRIPTION	DESIGN	DATE
A0		NEW RELEASE	蒋建银	2019.01.17



主要技术参数 Main Specifications

线数 (Poles): 02

额定电阻 (Contact resistance): $\leq 10\text{m}\Omega$

绝缘电阻 (Insulation resistance): $\geq 1000\text{M}\Omega$

额定电压 (Rated voltage): 300 V AC DC

额定电流 (Rated current): 15A AC DC

耐电压 (Withstand Voltage): 1800V AC/minute

温度范围 (Temperature Range): $-25^{\circ}\text{C} \sim +85^{\circ}\text{C}$

ORDER INFORMATION:

C6201R-02-A0T-P	
PART No. _____	PACKAGING: P=PE
No. OF CIRCUITS: _____	PLASTIC MATERIAL: A0T=PA66 (Transparent)
02	

C					
B					
A	HOUSING		1 PCS	PA66	COLOR:(Transparent)
ITEM	COMPONENT		Q'TY	MATERIAL	FINISH
JKUN 温州健坤接插件有限公司 WENZHOU JKUN CONNECTOR CO., LTD.					TITLE: C6201R 6.2mm PITCH HOUSING
X.±0.5	X.±5'	USE: CUSTOMER		PART NO.:	
.X±0.3	.X±2'	APPD: 邵敬和		C6201R-02-A0T-P	
.XX±0.25	.XX±1'	CHKD: 田峰		DWG NO.:	
--	--	DR: 蒋建银		JKUN-GCCP-0616	
⊕	◁	UNITS: mm	SCALE		SHEET
			1 : 1		1 / 1

A

B

C

D

E

F

1

2

3

4

5

1

2

3

4

5