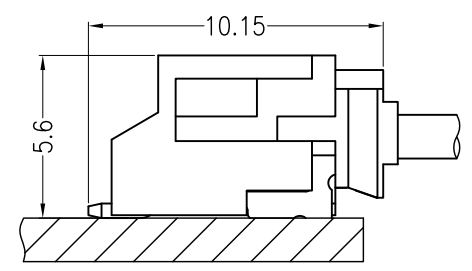
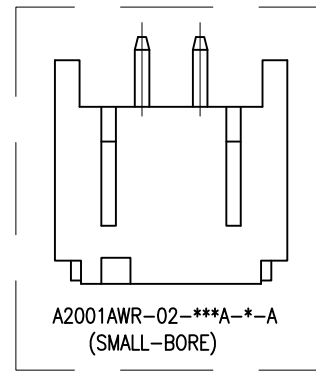
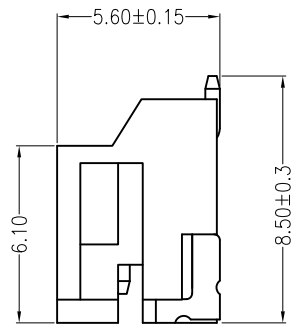
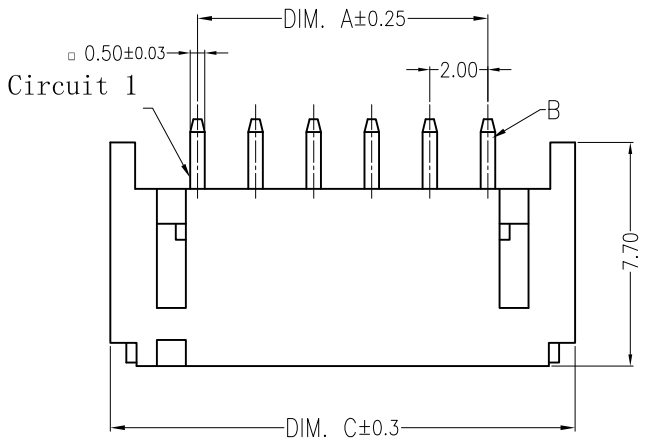
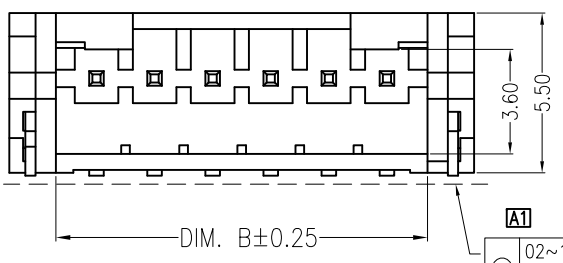


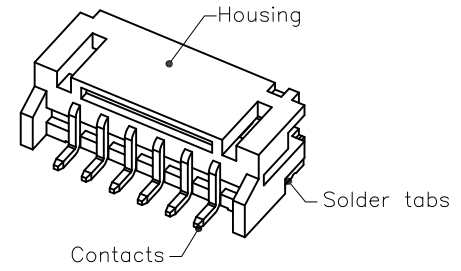
REV	DESCRIPTION	DESIGN	DATE
A0	NEW RELEASE	Wudanping	2016/04/10
A1	Adjust flatness	Jiangjiayin	2020/06/18



Assembly Layout



A1	02~11	0.10	MAX
	12~16	0.12	MAX

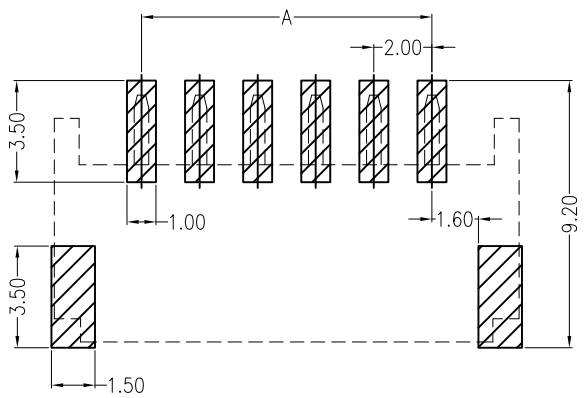
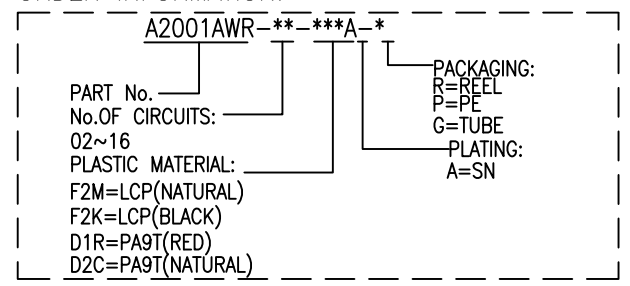


3D VIEWS

Specifications:

- Contact resistance: ≤20mΩ
- Insulation resistance: ≥1000MΩ
- Rated voltage: 250V AC DC
- Rated current: 2.0A AC DC
- Withstand voltage: 1000V AC/minute
- Temperature range: -25°C ~ +105°C
- Housing: LCP/PA9T, UL94V-0 (Natural, Black, Red)
- Contacts: Brass/Sn
- Solder tabs: Brass/Sn

ORDER INFORMATION:



SUGGESTED PCB LAYOUT

Circuits	Dimensions (mm)		
	DIM. A	DIM. B	DIM. C
02	2.00	4.75	8.00
03	4.00	6.75	10.00
04	6.00	8.75	12.00
05	8.00	10.75	14.00
06	10.00	12.75	16.00
07	12.00	14.75	18.00
08	14.00	16.75	20.00
09	16.00	18.75	22.00
10	18.00	20.75	24.00
11	20.00	22.75	26.00
12	22.00	24.75	28.00
13	24.00	26.75	30.00
14	26.00	28.75	32.00
15	28.00	30.75	34.00
16	30.00	32.75	36.00

JKUN 温州健坤接插件有限公司
WENZHOU JKUN CONNECTOR CO.,LTD.

TITLE:
2.00mm PITCH 90° WAFER SMT TYPE

GENERAL TOLERANCE		USE:
X. ±0.50	X. ±5°	CUSTOMER
X.X ±0.30	X.X ±2°	APPD: Shaojinghe
X.XX ±0.20	X.XX ±1°	CHKD: Zenglingqing
UNITS: mm		DR: Jiangjiayin

PART NO.:	
A2001AWR-**-***A-**-*	
DWG NO.:	
JKUN/GCKH-0525	
SCALE	SHEET
1 : 1	1 / 1