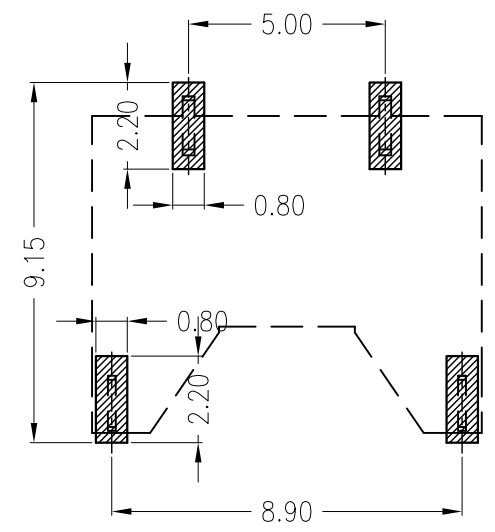
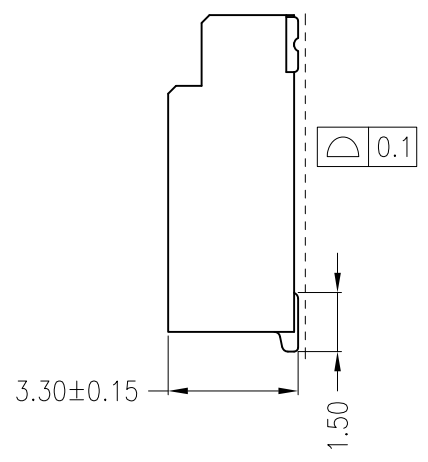
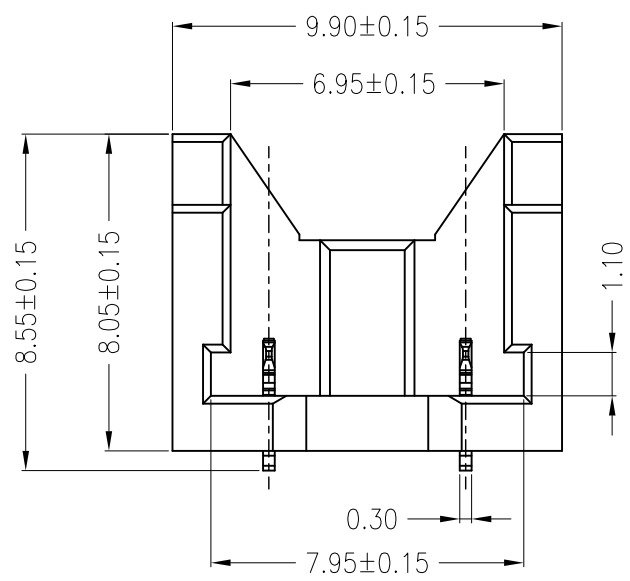
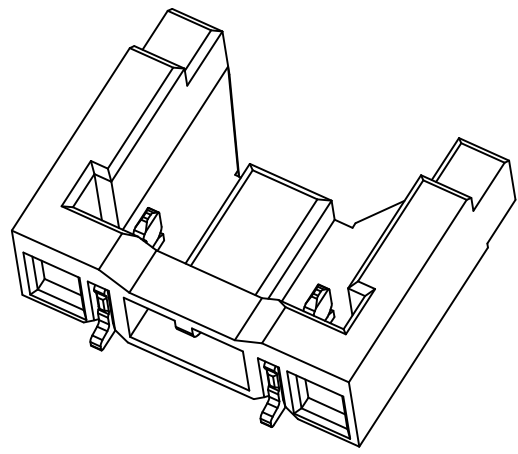
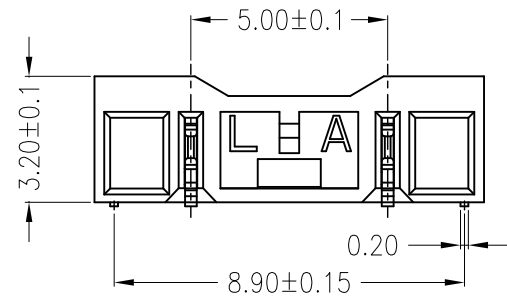


REV	DESCRIPTION	DESIGN	DATE
A0	NEW RELEASE	Lingqing	2020/04/07



PCB LAYOUT



ORDER INFORMATION:

A5003AWR-02-F4MB3-R		PACKAGING:	
PART No.		R=REEL	
No.OF CIRCUITS:		P=PE	
PLASTIC MATERIAL:		Metal code:	
F4M=LCP(BEIGE)		3=Brass	
		PLATING:	
		B=MATTE SN	

Specifications:

- Poles:02
- Contact resistance:≤30mΩ
- Insulation resistance:≥1000MΩ
- Rated voltage:400V AC DC
- Rated current:0.75A AC DC
- Withstand Voltage: 1800V AC/minute
- Temperature Range:-25°C~ +85°C
- Housing:LCP UL94V-0,Natural(Beige)
- Contacts: Brass MATTE SN
- Solder Tabs:Phosphor Bronze MATTE SN

JKUN 温州健坤接插件有限公司 WENZHOU JKUN CONNECTOR CO.,LTD.		TITLE: 5.0 Pitch Wafer 90° SMT	
GENERAL TOLERANCE		USE: CUSTOMER	PART NO.:
X. ±0.50	X. ±5°	APPD: Liuzhenling	A5003AWR-02-F4MB3-R
X.X ±0.30	X.X ±2°	CHKD: Wangliang	DWG NO.:
X.XX ±0.20	X.XX ±1°	DR: Zenglingqing	JKUN-GCKH-0826
UNITS: mm		SCALE 1 : 1	SHEET 1 / 1