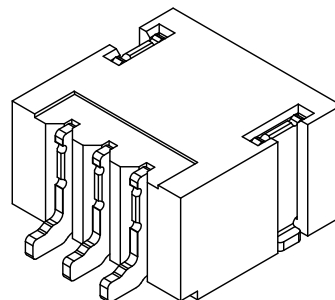
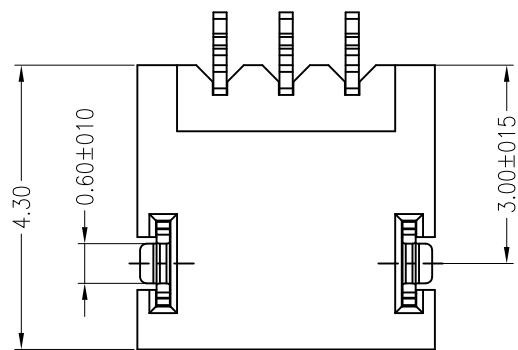
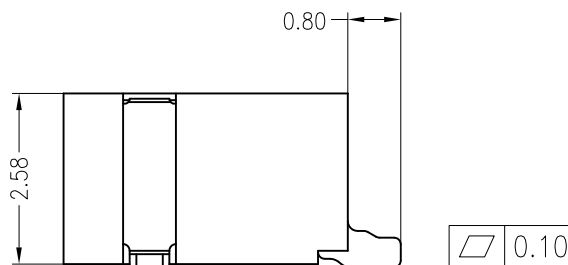
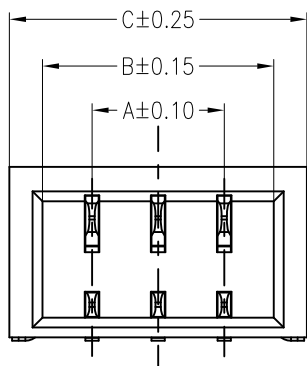


REV	DESCRIPTION	DESIGN	DATE
A0	NEW RELEASE	Steven	2019/09/18

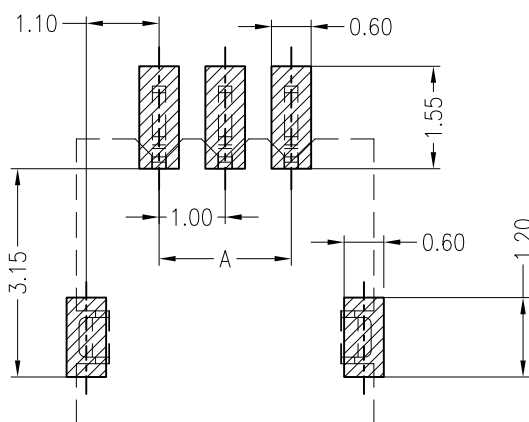
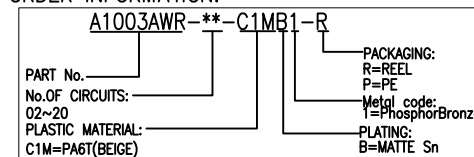


**Specifications:**

- Poles: 02 to 20
- Contact resistance:  $\leq 20m\Omega$
- Insulation resistance:  $\geq 100M\Omega$
- Rated voltage: 125V AC DC
- Rated current: 1.0A AC DC
- Withstand Voltage: 500V AC/minute
- Temperature Range:  $-25^{\circ}C \sim +85^{\circ}C$
- Housing: PA6T UL94V-0, Natural
- Contacts: Phosphor Bronze/Matte Sn-plated
- Solder Tabs: Brass/Matte Sn-plated



**ORDER INFORMATION:**



PCB LAYOUT(Tolerance:±0.05)

尺寸	A	B	C	尺寸	A	B	C
2P	1.00	2.50	3.50	12P	11.00	12.5	13.5
3P	2.00	3.50	4.50	13P	12.00	13.5	14.5
4P	3.00	4.50	5.50	14P	13.00	14.5	15.5
5P	4.00	5.50	6.50	15P	14.00	15.5	16.5
6P	5.00	6.50	7.50	16P	15.00	16.5	17.5
7P	6.00	7.50	8.50	17P	16.00	17.5	18.5
8P	7.00	8.50	9.50	18P	17.00	18.5	19.5
9P	8.00	9.50	10.5	19P	18.00	19.5	20.5
10P	9.00	10.50	11.5	20P	19.00	20.5	21.5
11P	10.00	11.50	12.5				

<b>JKUN</b> 温州健坤接插件有限公司 WENZHOU JKUN CONNECTOR CO.,LTD.		TITLE: 1.0 Pitch Wafer 90° SMT	
GENERAL TOLERANCE		USE: CUSTOMER	PART NO.:
X. ±0.50	X. ±5°	APPD: Wangliang	A1003AWR-**-C1MB1-R
X.X ±0.30	X.X ±2°	CHKD: Liuzhengling	DWG NO.:
X.XX ±0.20	X.XX ±1°	DR: Steven	JKUN-GCCP-0689
UNITS: mm		SCALE 1 : 1	SHEET 1 / 1