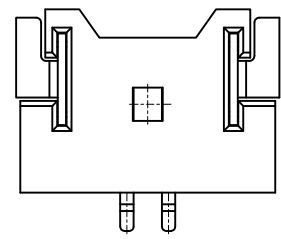
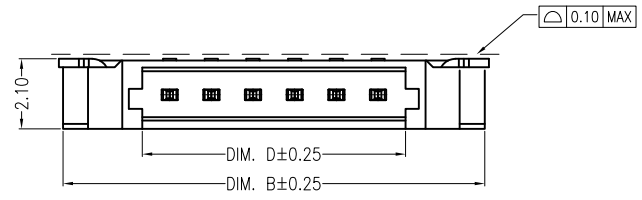
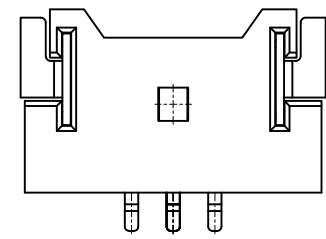


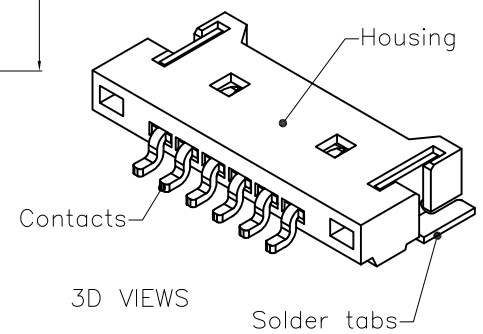
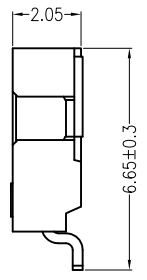
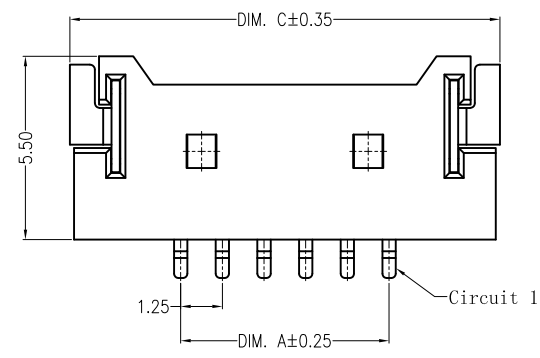
REV	DESCRIPTION	DESIGN	DATE
A0	NEW RELEASE	Zhouxiulong	2017/12/26



A1254AWR-02



A1254AWR-03

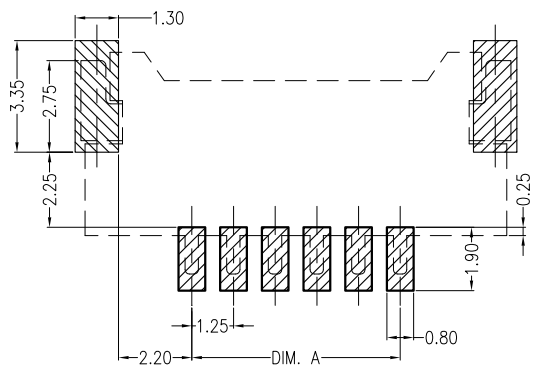
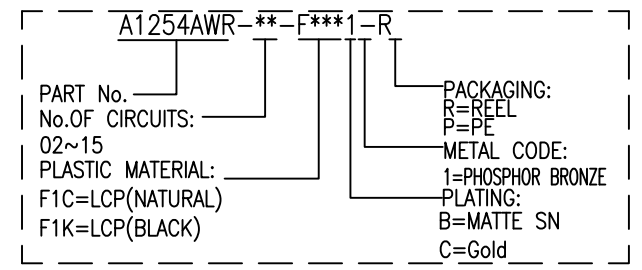


3D VIEWS

**Specifications:**

- Contact resistance:  $\leq 20\text{m}\Omega$
- Insulation resistance:  $\geq 100\text{M}\Omega$
- Rated voltage: 125V AC DC
- Rated current: 1.0A AC DC
- Withstand voltage: 500V AC/minute
- Temperature range:  $-25^{\circ}\text{C} \sim +85^{\circ}\text{C}$
- Housing: LCP UL94V-0, (Natural/Black)
- Contacts: Phosphor bronze (Matte Sn/Gold)
- Solder tabs: Phosphor bronze (Matte Sn/Gold)

**ORDER INFORMATION:**



SUGGESTED PCB LAYOUT

Circuits	Dimensions (mm)			
	DIM. A	DIM. B	DIM. C	DIM. D
02	1.25	7.65	7.90	2.90
03	2.50	8.90	9.15	4.15
04	3.75	10.15	10.40	5.40
05	5.00	11.40	11.65	6.65
06	6.25	12.65	12.90	7.90
07	7.50	13.90	14.15	9.15
08	8.75	15.15	15.40	10.40
09	10.00	16.40	16.65	11.65
10	11.25	17.65	17.90	12.90
11	12.50	18.90	19.15	14.15
12	13.75	20.15	20.40	15.40
13	15.00	21.40	21.65	16.65
14	16.25	22.65	22.90	17.9
15	17.50	23.90	24.15	19.15

**JKUN** 温州健坤接插件有限公司  
WENZHOU JKUN CONNECTOR CO.,LTD.

GENERAL TOLERANCE	
X. ±0.50	X. ±5'
X.X ±0.30	X.X ±2'
X.XX ±0.20	X.XX ±1'
UNITS: mm	

USE: CUSTOMER
APPD: Shaojinghe
CHKD: Zenglingqing
DR: Jiangjianyin

TITLE: 1.25mm PITCH 90° WAFER SMT TYPE	
PART NO.:	
A1254AWR-**-F***1-R	
DWG NO.:	
JKUN/GCKH-0658	
SCALE 1 : 1	SHEET 1 / 1