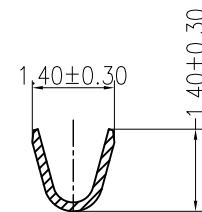
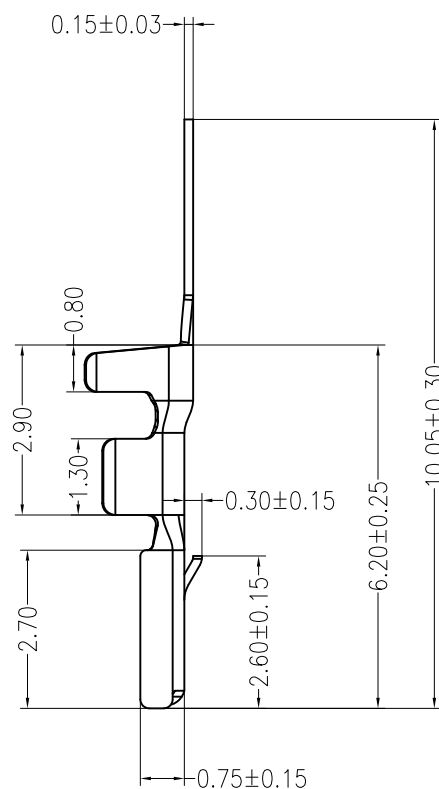
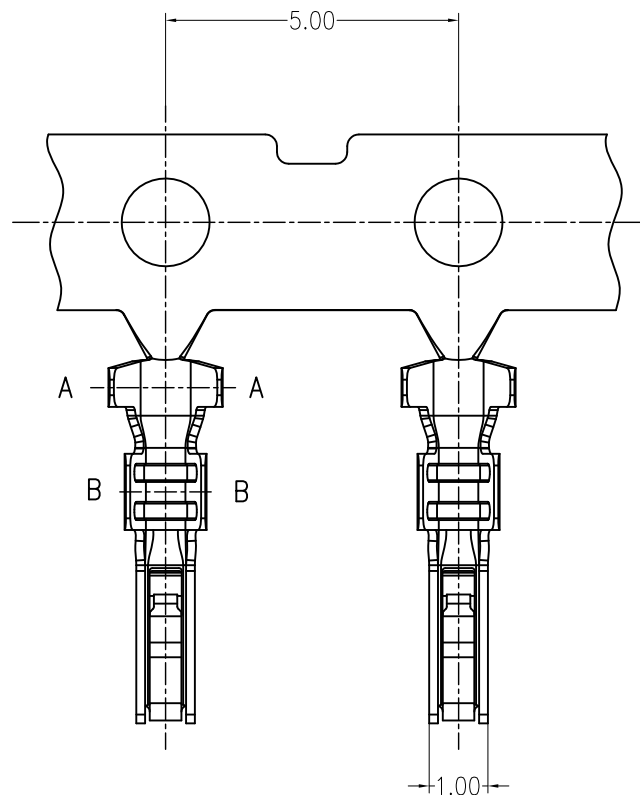
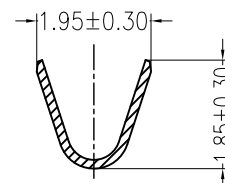


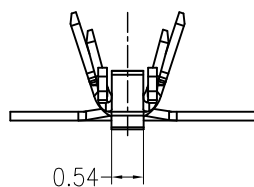
REV	DESCRIPTION	DESIGN	DATE
A	NEW RELEASE	Fangsongle	2021/03/19



SECTION A-A



SECTION B-B



Ordering Information & Specification:

Part No	Wire Range	Insulation O.D.	Material	Finish	Qty/Reel
A1507T-01端子	AWG #28~#24	0.80~1.20mm	Phosphor bronze	Sn-plated	

JKUN 温州健坤接插件有限公司 WENZHOU JKUN CONNECTOR CO.,LTD.		TITLE: 1.5mm Terminal	
GENERAL TOLERANCE		USE: CUSTOMER	PART NO.:
X. ±0.50	X. ±5°	APPD: Shaojinghe	A1507T-01端子
X.X ±0.30	X.X ±2°	CHKD: Zenglingqing	DWG NO.:
X.XX ±0.20	X.XX ±1°	DR: Fangsongle	JKUN-GCDZ-0093
UNITS: mm		SCALE 1 : 1	SHEET 1 / 1