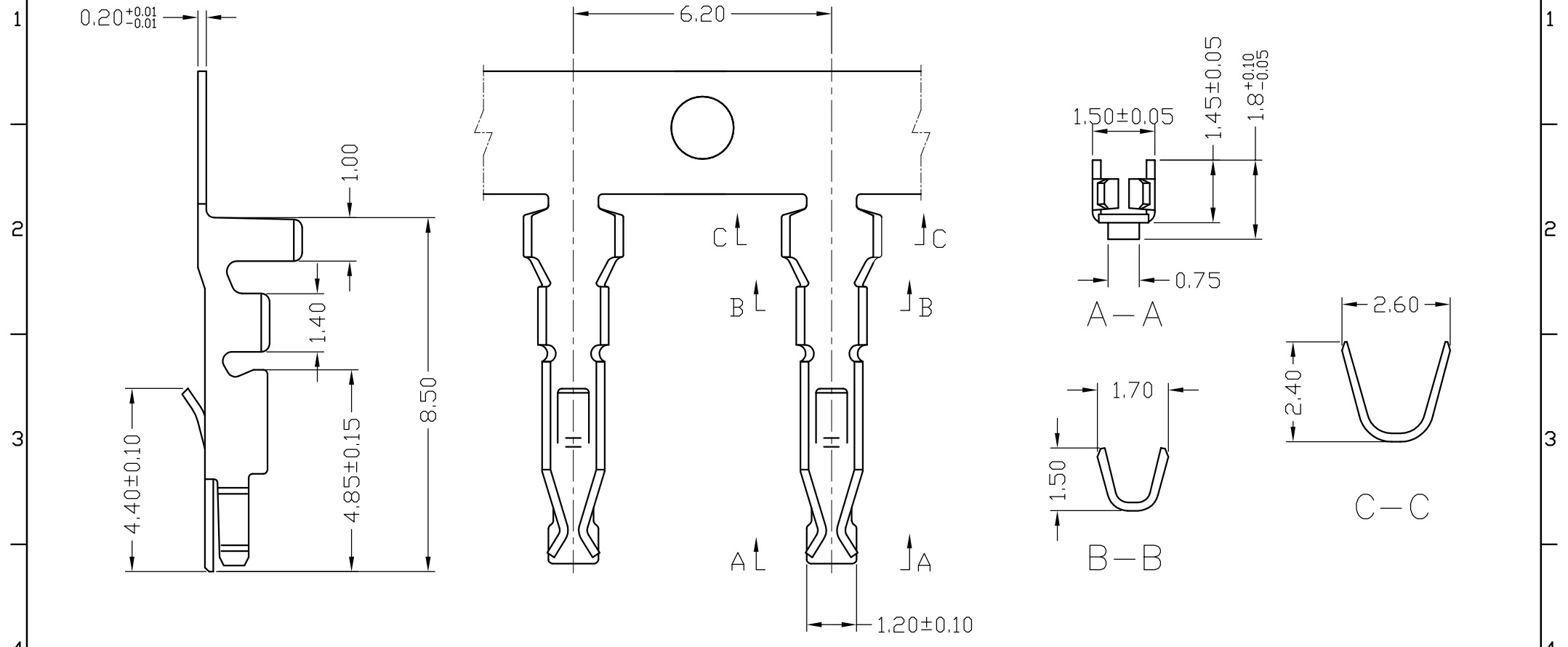


REV	ECN No.	DESCRIPTION	DESIGN	DATE
A0		Release	吴丹平	2017.05.31



Ordering Information & Specification:

Part No	Wire Range	Insulation O.D.	Material	Finish	Qty/Reel
A3501T-PA-Z	AWG #24~#28	1.60mm(max)	Phosphor bronze	Tin-plated	10.000 pcs

JKUN 温州健坤接插件有限公司 WENZHOU JKUN CONNECTOR CO., LTD.			TITLE: A3501T	
$X \pm 0.5$	$X \pm 5'$	USE: CUSTOMER	PART NO.:	
$.X \pm 0.3$	$.X \pm 2'$		A3501T-PA	
$.XX \pm 0.25$	$.XX \pm 1'$	APPD: 邵敬和	DWG NO.:	
--	--	CHKD: 田峰	JKUN-GCDZ-0020	
		UNITS: mm	DR: 吴丹平	SCALE 1 : 1
			SHEET 1 / 1	