

A

B

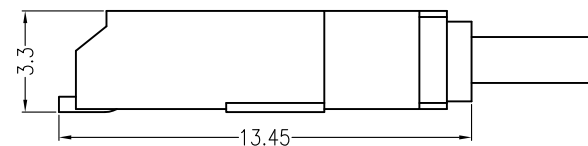
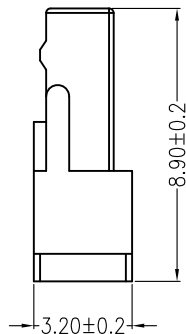
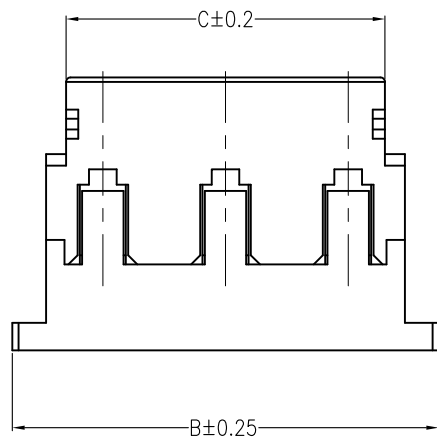
C

D

E

F

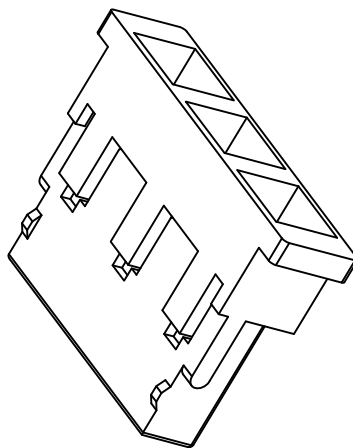
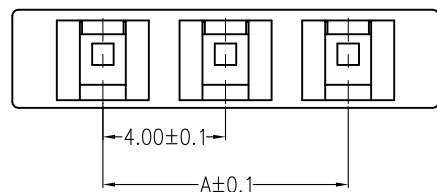
REV	ECN No.	DESCRIPTION	DESIGN	DATE
A0		NEW RELEASE	蒋建银	2018.01.17



Assembly Layout

主要技术参数 Main Specifications

线数 (Poles): 02 to 05
 额定电阻 (Contact resistance): $\leq 20\text{m}\Omega$
 绝缘电阻 (Insulation resistance): $\geq 1000\text{M}\Omega$
 额定电压 (Rated voltage): 600V AC DC
 额定电流 (Rated current): 1A AC DC
 耐电压 (Withstand Voltage): 1800V AC/minute
 温度范围 (Temperature Range): $-25^{\circ}\text{C} \sim +85^{\circ}\text{C}$



ORDER INFORMATION:

A4001Y-**-A6W-P	
PART No. _____	PACKAGING: P=PE
No. FOR CIRCUITS: _____	PLASTIC MATERIAL: A6W=PA66 (BEIGE)
**	

Circuits	Dimensions (mm)		
	A	B	C
02	4.00	9.60	6.40
03	8.00	13.60	10.40
04	12.00	17.60	14.40
05	16.00	21.60	18.40

ITEM	COMPONENT	Q'TY	MATERIAL	FINISH
C				
B				
A	HOUSING	1 PCS	PA66	COLOR:WHITE
JKUN 温州健坤接插件有限公司 WENZHOU JKUN CONNECTOR CO., LTD.				
TITLE: A4001Y 4.00mm PITCH HOUSING			PART NO.:	
X.±0.5 X.±5'			A4001Y-**-A6W-P	
.X±0.3 .X±2'			DWG NO.:	
.XX±0.25 .XX±1'			JKUN-GCCP-0580	
-- --			SCALE	SHEET
UNITS: mm			1 : 1	1 / 1
USE: CUSTOMER				
APPD: 邵敬和				
CHKD: 田峰				
DR: 吴丹平				

A

B

C

D

E

F