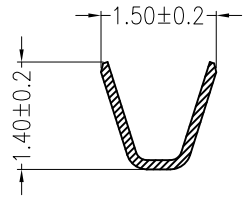
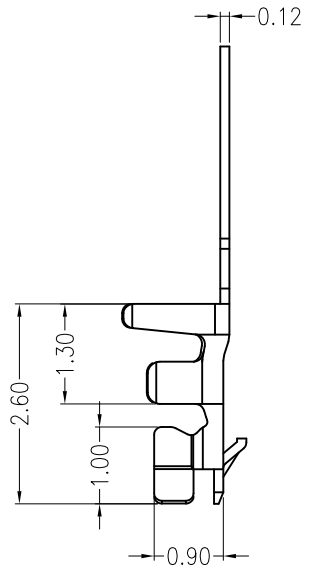
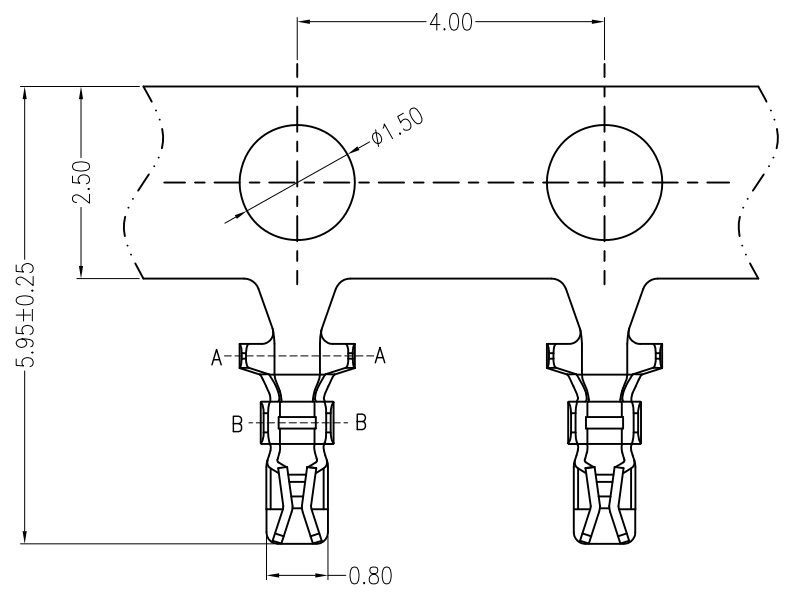
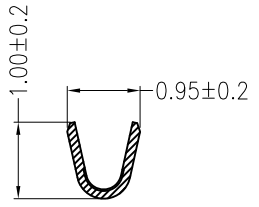


REV	DESCRIPTION	DESIGN	DATE
A	NEW RELEASE	Lingqing	2021/07/16



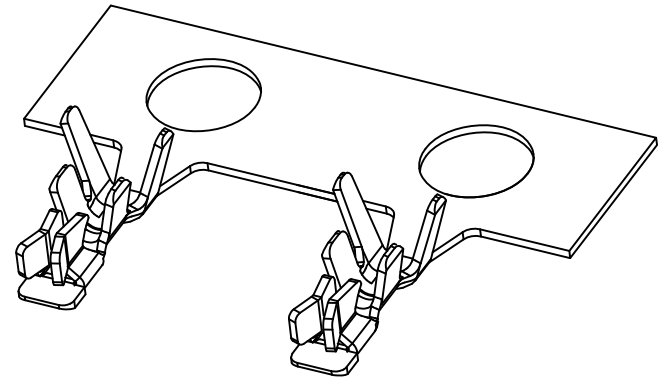
SECTION A-A



SECTION B-B

**Specifications:**

- Contact resistance:  $\leq 20\text{m}\Omega$
- Insulation resistance:  $\geq 1000\text{M}\Omega$
- Rated voltage: 150V AC DC
- Rated current: 1.0A AC DC
- Withstand Voltage: 800V AC/minute
- Temperature Range:  $-25^{\circ}\text{C} \sim +85^{\circ}\text{C}$
- Contacts: Phosphor Bronze Sn-plated



<b>JKUN</b> 温州健坤接插件有限公司 WENZHOU JKUN CONNECTOR CO.,LTD.		TITLE: MX 1.25 Terminal	
GENERAL TOLERANCE		USE: CUSTOMER	PART NO.:
X. $\pm 0.50$	X. $\pm 5^{\circ}$	APPD: Shaojinghe	$\Lambda 12511\text{T}-01$ 端子
X.X $\pm 0.30$	X.X $\pm 2^{\circ}$	CHKD: Fangsongle	DWG NO.:
X.XX $\pm 0.20$	X.XX $\pm 1^{\circ}$	DR: Zenglingqing	JKUN-GCDZ-0099
UNITS: mm		SCALE 1 : 1	SHEET 1 / 1